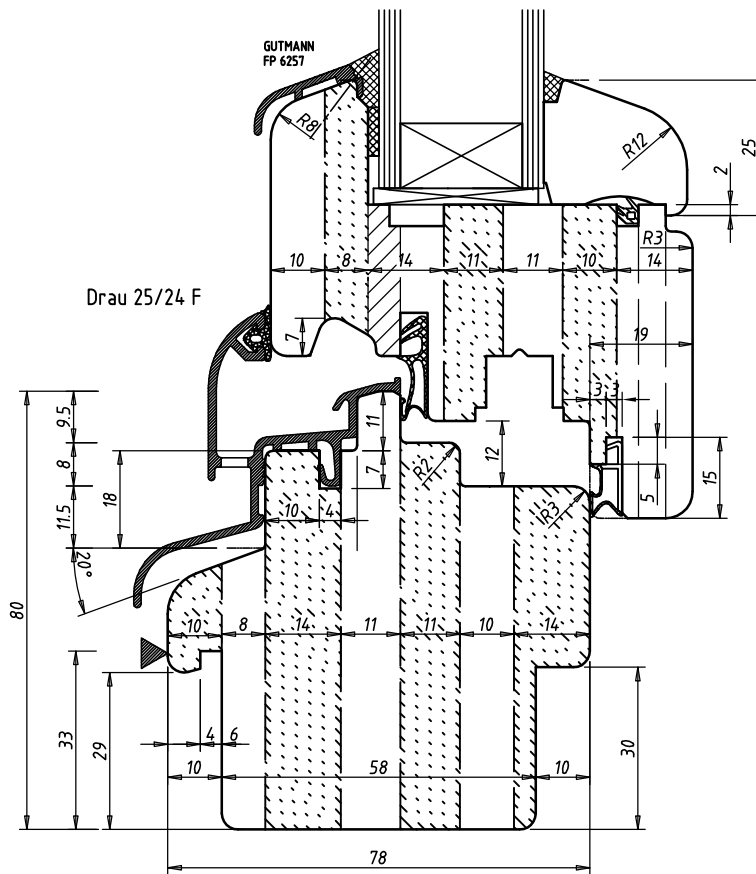
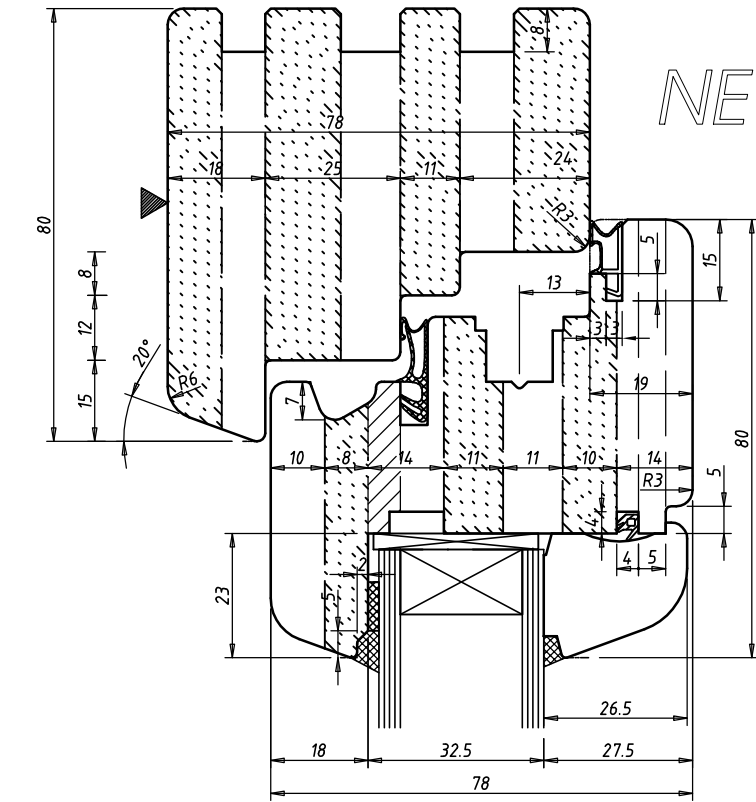


IV 78 NEWFORM



Via dell'Artigiano, 57 (Z.I.) - 38068 Rovereto (TN) Italy
Tel. 0039 0464 433183 Fax 436316
Web: www.zuani.it E-Mail: info@zuani.it

COMPANY
WITH QUALITY SYSTEM
CERTIFIED BY DNV
ISO 9001

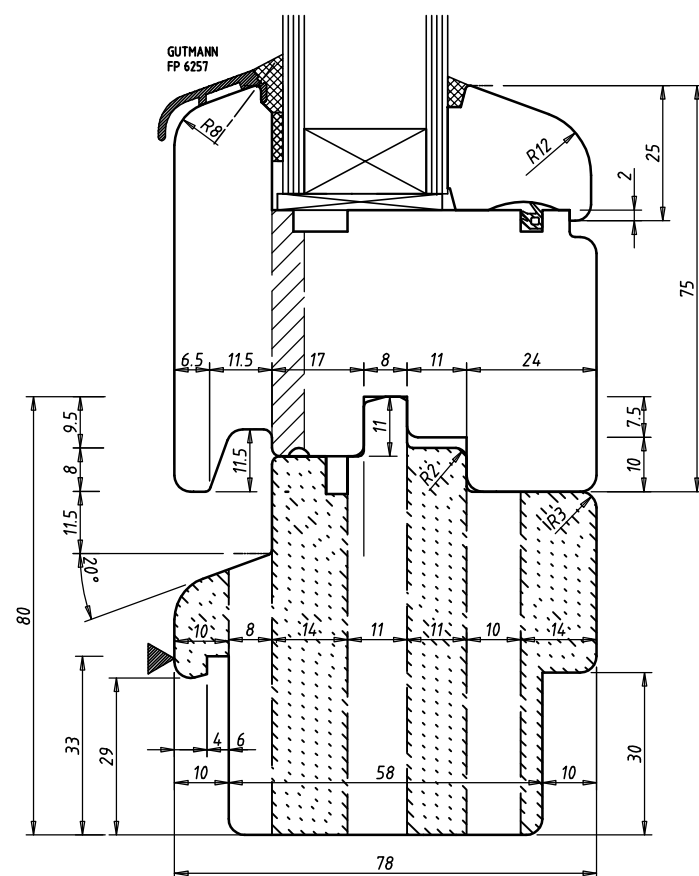
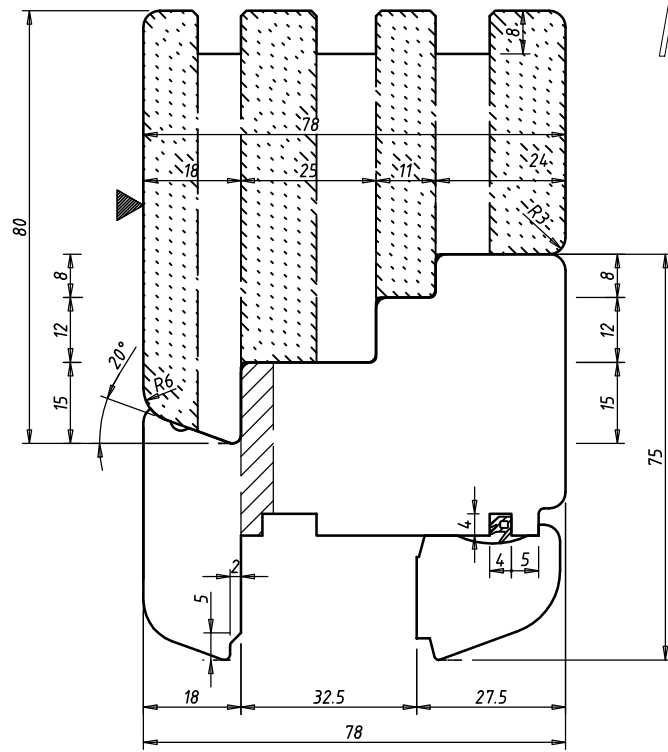


SOUKUP
DŘEVOBRÁBECÍ STROJE

Mlýnská 2, 160 00 Praha CZ
www.soukup.cz e-mail info@soukup.cz

Title				
IV 78 NEWFORM - DRAU 25				
Rev.	Date	Scale	Dis. Soukup	Date
Checked	Date	Drawing N.		

IV 78 NEWFORM



Via dell'Artigiano, 57 (Z.I.) - 38068 Rovereto (TN) Italy
Tel. 0039 0464 433183 Fax 436316
Web: www.zuani.it E-Mail: info@zuani.it

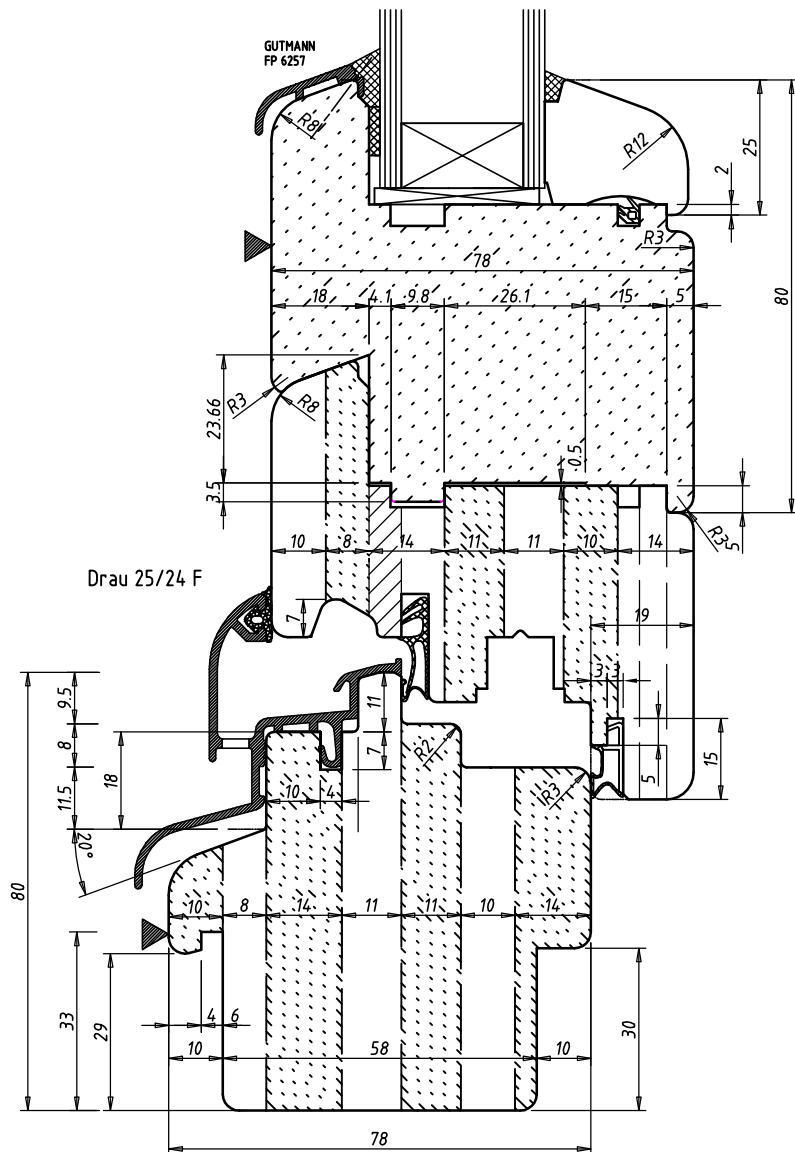
COMPANY
WITH QUALITY SYSTEM
CERTIFIED BY DNV
ISO 9001



Mlýnská 2, 160 00 Praha CZ
www.soukup.cz e-mail info@soukup.cz

Title				
IV 78 NEWFORM - DRAU 25				
Rev.	Date	Scale	Dis. Soukup	Date
Checked	Date	Drawing N.		

IV 78 NEWFORM



ZUANI[®]

Via dell'Artigiano, 57 (Z.I.) - 38068 Rovereto (TN) Italy
Tel. 0039 0464 433183 Fax 436316
Web: www.zuani.it E-Mail: info@zuani.it

COMPANY
WITH QUALITY SYSTEM
CERTIFIED BY DNV
ISO 9001

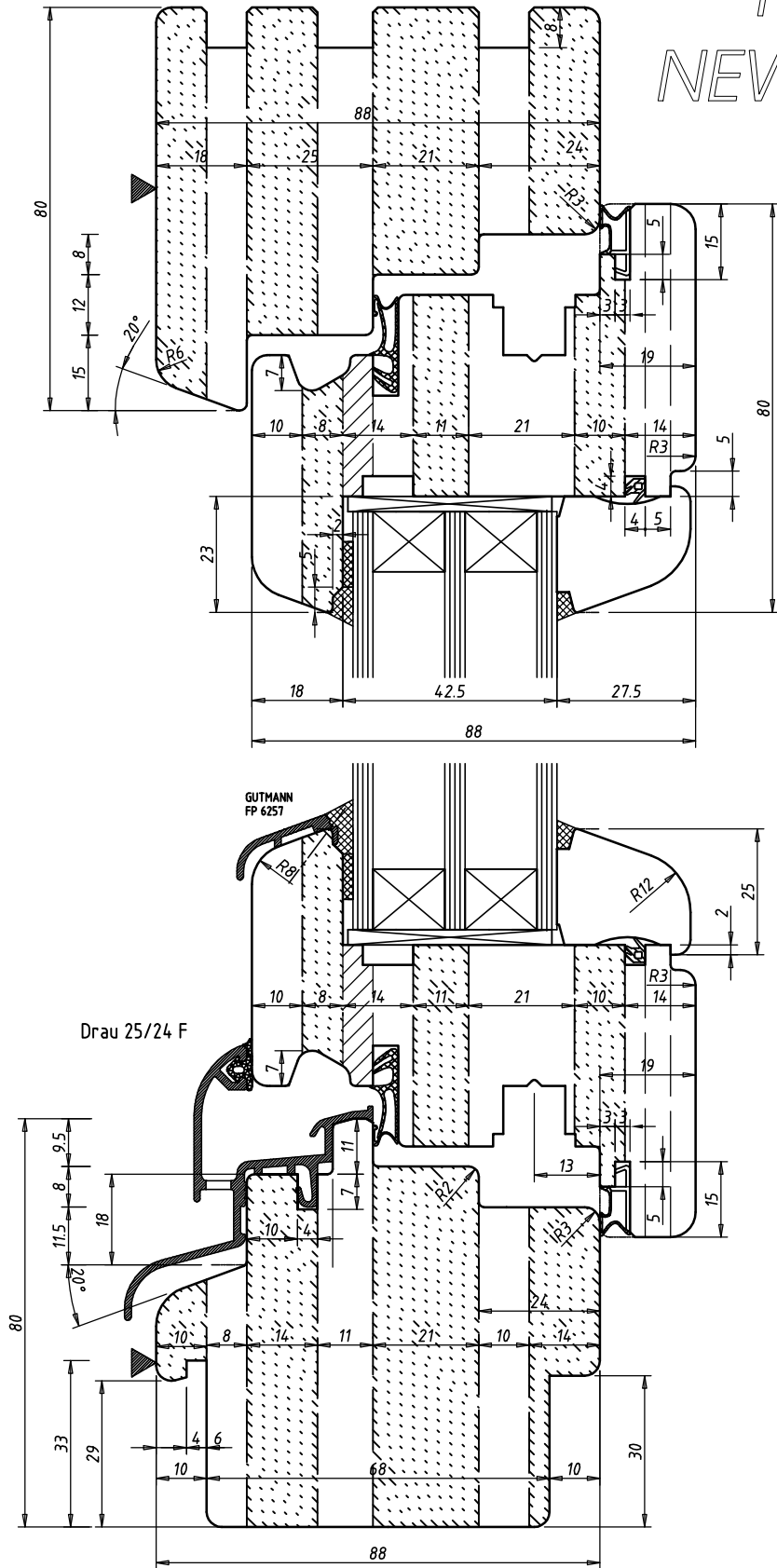


SOUKUP
DŘEVOOBRÁBĚCÍ STROJE

Mlýnská 2, 160 00 Praha CZ
www.soukup.cz e-mail info@soukup.cz

Title				
IV 78 NEWFORM - DRAU 25				
Rev.	Date	Scale	Dis. Soukup	Date
Checked	Date	Drawing N.		

IV 88 NEWFORM



Via dell'Artigiano, 57 (Z.I.) - 38068 Rovereto (TN) Italy
Tel. 0039 0464 433183 Fax 436316
Web: www.zuani.it E-Mail: info@zuani.it

COMPANY
WITH QUALITY SYSTEM
CERTIFIED BY DNV
ISO 9001

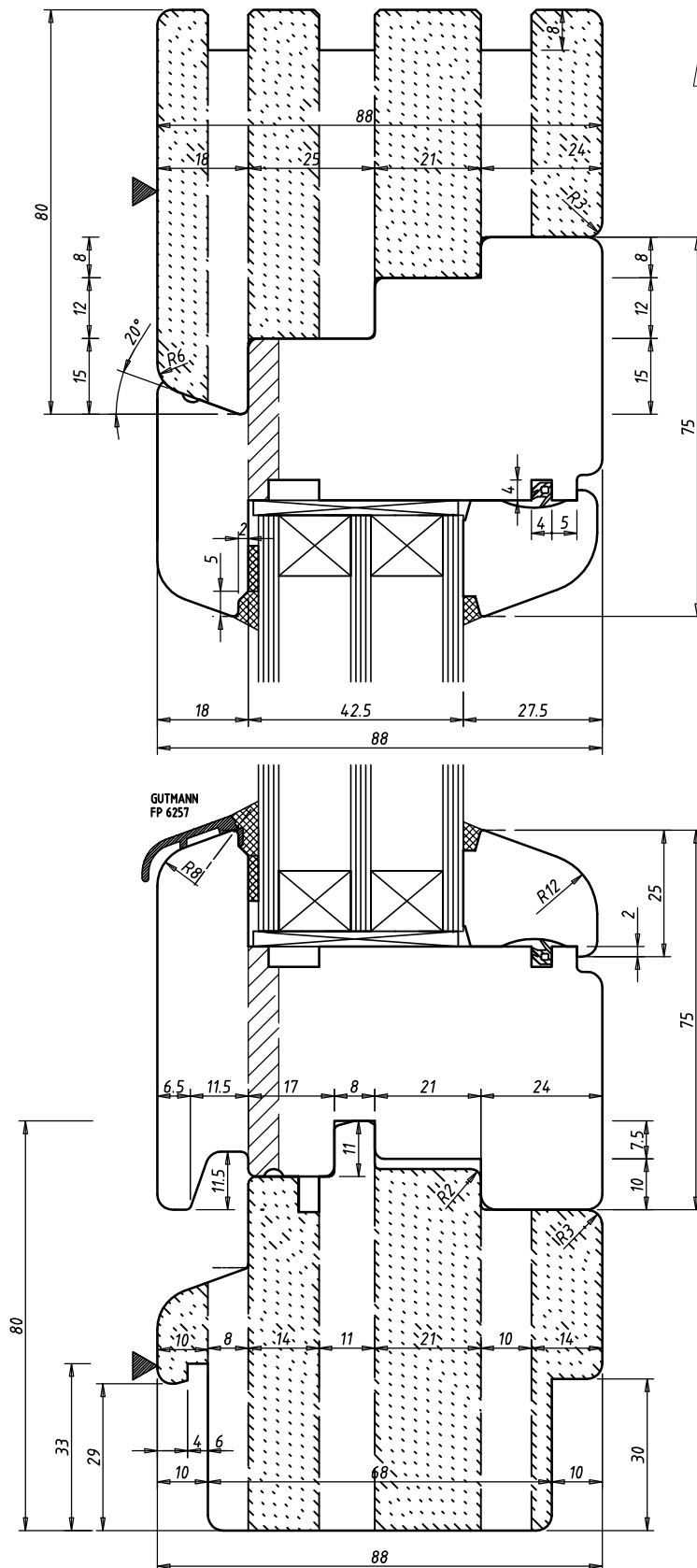


SOUKUP
DŘEVOBRÁBĚCÍ STROJE

Mlýnská 2, 160 00 Praha CZ
www.soukup.cz e.mail info@soukup.cz

Title				
IV 88 NEWFORM - DRAU 25				
Rev.	Date	Scale	Dis. Soukup	Date
Checked	Date	Drawing N.		

IV 88 NEWFORM



ZUANI

Via dell'Artigiano, 57 (Z.I.) - 38068 Rovereto (TN) Italy
Tel. 0039 0464 433183 Fax 436316
Web: www.zuani.it E-Mail: info@zuani.it

COMPANY
WITH QUALITY SYSTEM
CERTIFIED BY DNV
ISO 9001

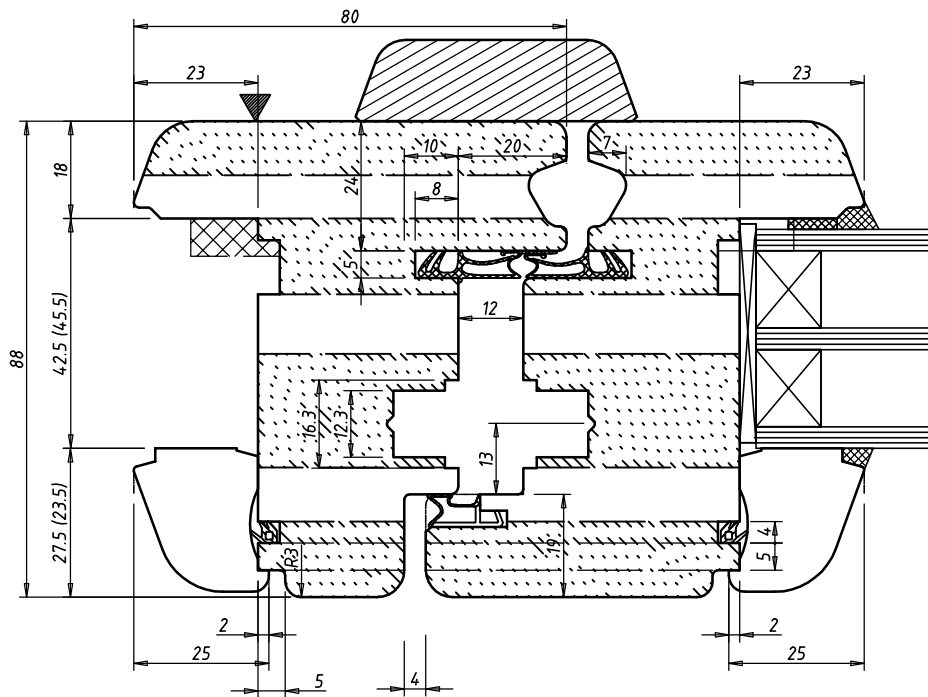


SOUKUP
DŘEVOOBRÁBĚCÍ STROJE

Mlýnská 2, 160 00 Praha CZ
www.soukup.cz e-mail info@soukup.cz

Title				
IV 88 NEWFORM - DRAU 25				
Rev.	Date	Scale	Dis. Soukup	Date
Checked	Date	Drawing N.		

IV 88 NEWFORM



ZUANI®

Via dell'Artigiano, 57 (Z.I.) - 38068 Rovereto (TN) Italy
Tel. 0039 0464 433183 Fax 436316
Web: www.zuani.it E-Mail: info@zuani.it

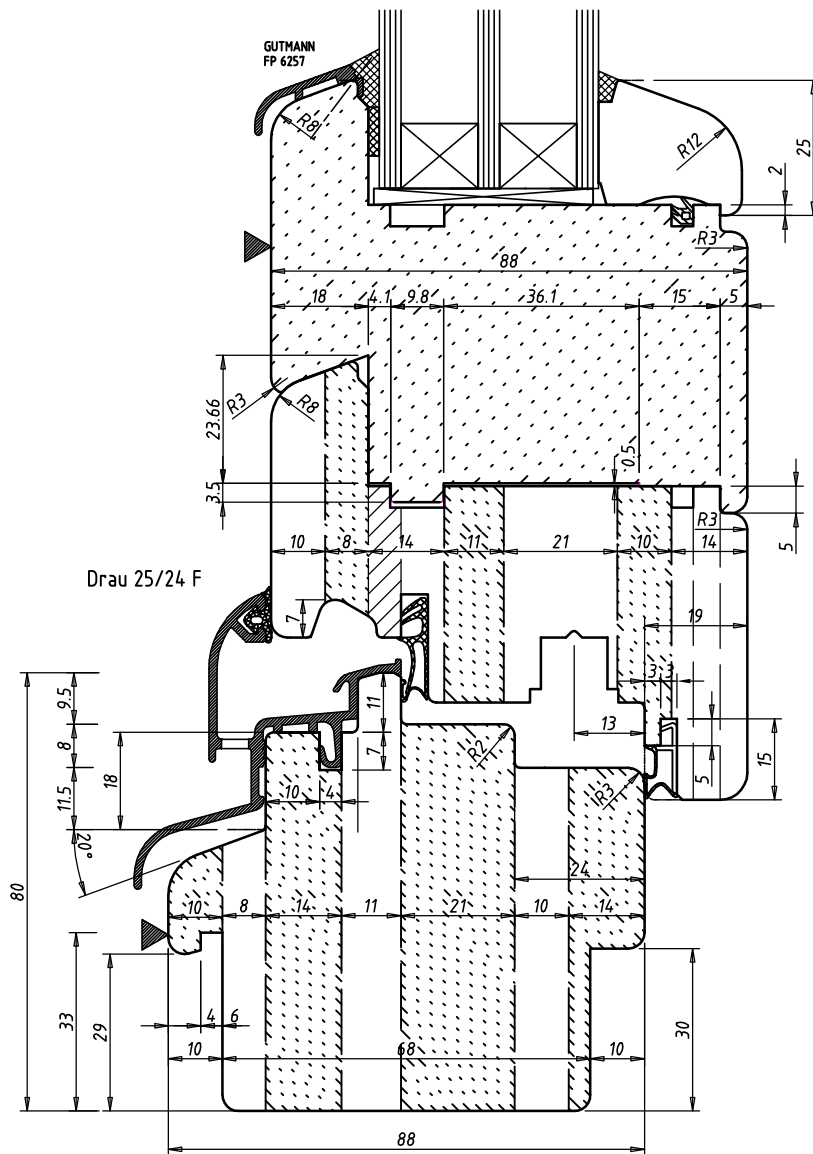
COMPANY
WITH QUALITY SYSTEM
CERTIFIED BY DNV
ISO 9001

SOUKUP
DŘEVOOBRÁBĚCÍ STROJE

Mlýnská 2, 160 00 Praha CZ
www.soukup.cz e.mail.info@soukup.cz

Title				
IV 88 NEWFORM - DRAU 25				
Rev.	Date	Scale	Dis. Soukup	Date
Checked	Date	Drawing N.		

IV 88 NEWFORM



ZUANI[®]

Via dell'Artigiano, 57 (Z.I.) - 38068 Rovereto (TN) Italy
Tel. 0039 0464 433183 Fax 436316
Web: www.zuani.it E-Mail: info@zuani.it

COMPANY
WITH QUALITY SYSTEM
CERTIFIED BY DNV
ISO 9001



SOUKUP
DŘEVOOBRÁBĚCÍ STROJE

Mlýnská 2, 160 00 Praha CZ
www.soukup.cz e.mail info@soukup.cz

Title				
IV 88 NEWFORM - DRAU 25				
Rev.	Date	Scale	Dis. Soukup	Date
Checked	Date	Drawing N.		